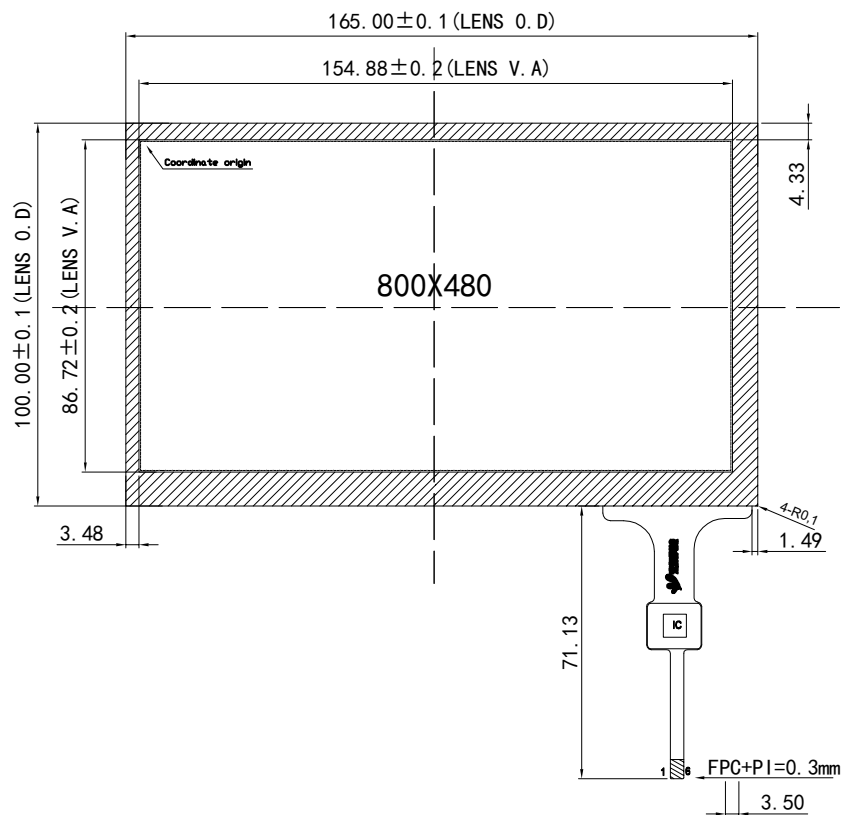



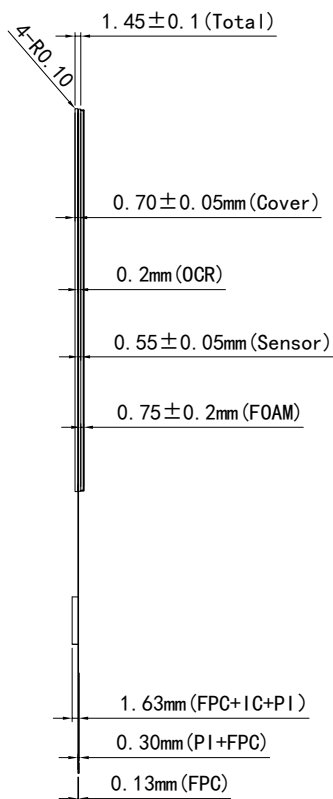
No ROHS hazardous material

Ordinal	Modify content description	Cartographer	Date of change
①			

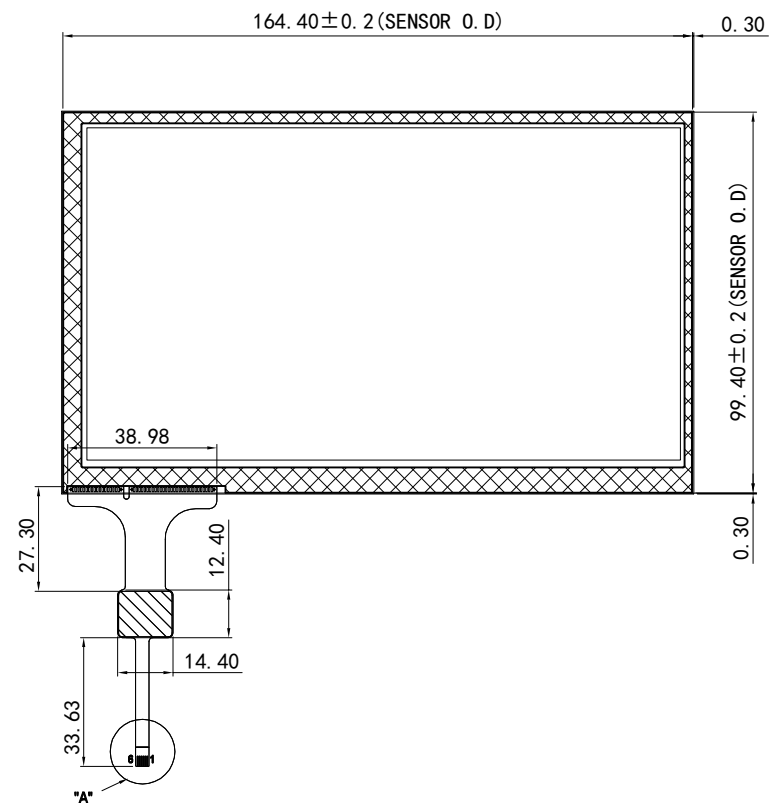


 Screen printing area: Print Black

Front view



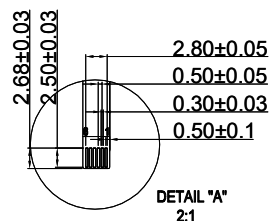
Side view



 Frame adhesive foam area = 0.75mm

Back view

Technical parameters			TP	PIN:
1. Interfaces:	I2C	7. Humidity range:	45~85%RH	1 INT 3.3V
2. Structure :	G+G	8. Transmittance:	$\geq 85\%$	2 VDD 3.3V
3. IC solutions:	CYTMA568	9. Surface hardness:	$\geq 6H$	3 SCL 3.3V
4. Impact resistance:	30.0ΦDIA. SteelBall /132g/Height=35cm/1time	10. Operate :	$-20^{\circ}C \sim +70^{\circ}C, \leq 85\%RH$	4 SDA 3.3V
5. Touch points:	10 points	11. Storage :	$-30^{\circ}C \sim +80^{\circ}C, \leq 85\%RH$	5 RST 3.3V
6. Power supply:	3.3V	12. Unmarked dimension tolerance as	± 0.2	6 GND



		杭州宏梟科技有限公司 GraHowlet Technology CO., Ltd					
产品型号	HX0701601			视图方向		单位	MM
版本号	V2.0	设计	LUO	日期	2016-3-16	版次	A1
客户编号		核准	HBZ	日期	2016-3-17	比例	1:1