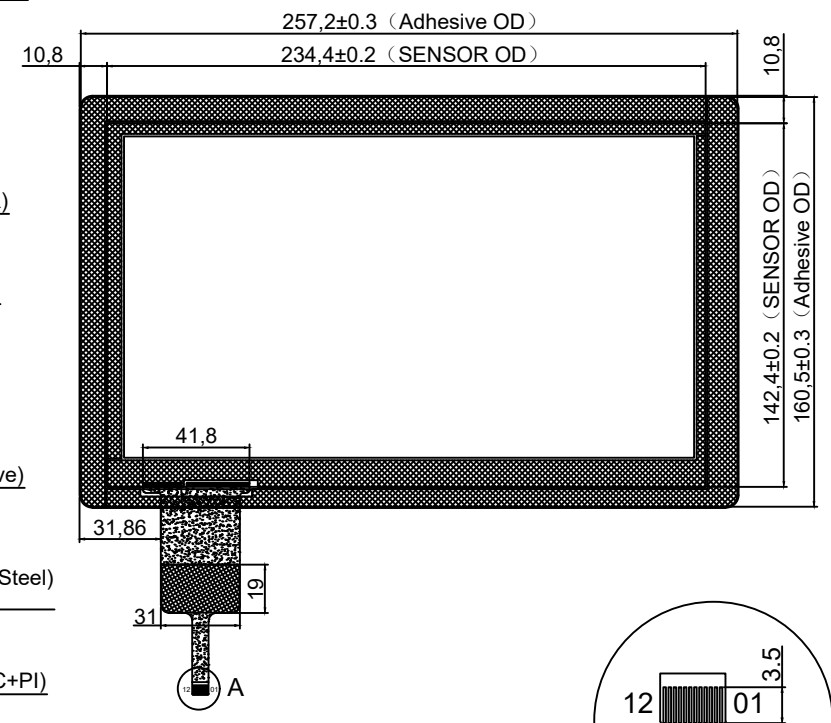
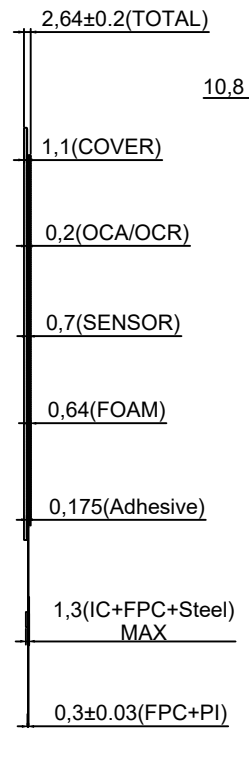
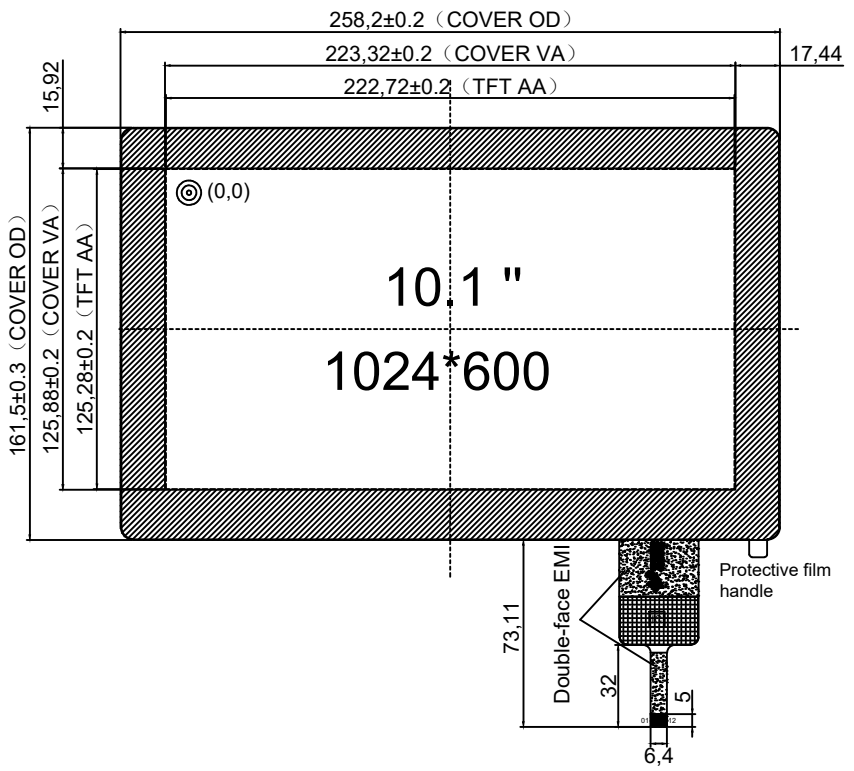


No ROHS hazardous material

Ordinal	Modify content description	Cartographer	Date of change
△			
△			

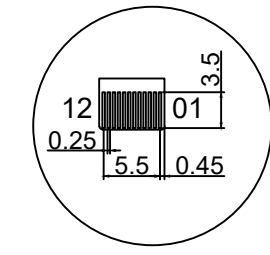
A  
B  
C  
D  
E  
F  
G

A  
B  
C  
D  
E  
F  
G



- Screen printing area: Print Black
- Frame adhesive foam area = 0.64mm (VHB)

Double-face Adhesive 3M9495= 0.175mm



Front view

Side view

Back view

TP Technical parameters			
1. Interfaces	I2C	7. Humidity range	45~85%RH
2. Structure	G+G	8. Transmittance	≥85%
3. IC solutions	CYMA568	9. Hardness	≥6H
4. Impact	30.0ΦDIA. SteelBall /132g/Height=35cm/1time	10. Operate	-20℃~+70℃, ≤85%RH
5. Touch points	10 points	11. Storage	-30℃~+80℃, ≤85%RH
6. Power supply	3.3V	12. Unmarked dimension tolerance	as±0.2

T P	P I N :		
1	GND	7	SDA(3.3V)
2	NC	8	SCL(3.3V)
3	NC	9	RST(3.3V)
4	NC	1 0	INT(3.3V)
5	SWDIO	1 1	VDD(3.3V)
6	GND	1 2	VCC(3.3V)

杭州宏巢科技有限公司  
GraHowlet Technology CO., Ltd

Model	HX1011827			view direction		Unit	MM
Version	V1.0	Designer	LUO	Date	2021-05-13	Edition	A1
Customer		Approved		Date		Proportion	1:1

1 2 3 4 5 6 7 8 9